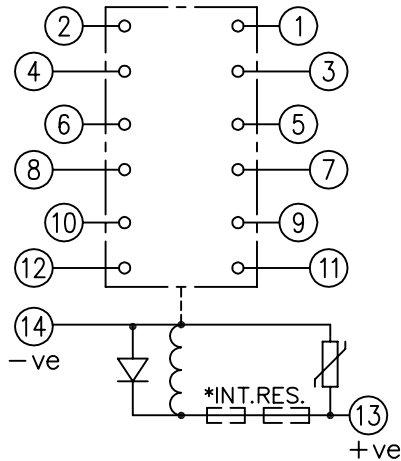


LOOKING ON FRONT OF RELAY

NOT SUBJECT TO UPDATE
ONCE COPIED / PRINTED
OR DOWNLOADED



NOTE:

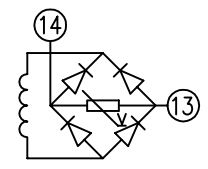
1. RESISTORS ARE NOT REQUIRED ON OTHER VOLTAGE VARIATIONS.
- * 2. THE AR141T2 125VDC & 240VDC VERSIONS MUST HAVE RESISTOR 2101C21471 FITTED INSTEAD OF THE ONE SPECIFIED ON CHART. SEE RELEVANT B.O.M.

KEY	
	make contact
	break contact
	c/o contact
	ext. conn
	plug bridge - shorting
	metering point
	5kv barrier
	test socket - shorting
	plug & socket

125	*2101C21102 ONLY.	NIL.	*2101C21102	SEE NOTE 2 *		
240	*2101C21102 +EXT. RES.	EXT. RES. ONLY	EXT. RES. ONLY	SEE NOTE 2 *		
VDC	INT.RES.(T1,T2,T3).	INT.RES.(T4).	INT.RES.(T6).	REMARKS		
CONTACT CONFIG.	OUTPUT CONTACT PAIR / TERMINAL No.					
6M	M	M	M	M	M	M
5M 1B	M	B	M	M	M	M
4M 2B	B	B	M	M	M	M
3M 3B	B	B	M	B	M	M
2M 4B	B	B	B	B	M	M
1M 5B	B	B	B	B	M	B
6B	B	B	B	B	B	B

THE CONTACT CONFIGS SHOWN ARE NOT AVAILABLE FOR ALL AR1-1T- RELAYS. SEE INDIVIDUAL ORDERING SCHEDULES FOR CONTACT OPTION AVAILABILITY.

NOTE: WHEN RECTIFIER IS SPECIFIED COIL CONNS. ARE AS SHOWN.



FRAME REFERENCE: E2FAQQ.

FRAME TERMINAL BLOCK ASSY: -

ASSEMBLY INSTRUCTIONS: -
TYPICAL ASSEMBLY DRAWING 2995G10032.
AT INDICATED POSITIONS FIT AS FOLLOWS:
T - FIT TRIP ISOLATION CONTACT 2995B10053
S - FIT STANDARD CONTACT 2995B10054
SECURE CONTACTS USING FIXING SCREW 2109F99009.
POSITIONS SHOWN BLANK ARE UNUSED

2	T	T	1
4	T	T	3
6	T	T	5
8	T	T	7
10	T	T	9
12	T	T	11
14	S	S	13
16			15
18			17
20			19
22			21
24			23
26			25
28			27

VIEW FROM NUMBERED SIDE OF BLOCK

OUTER TERMINAL BLOCK ASSY: -

ASSEMBLY INSTRUCTIONS: -
TYPICAL ASSEMBLY DRAWING 2995G10029.
AT INDICATED POSITIONS FIT AS FOLLOWS:
S - FIT STANDARD CONTACT 2995B10051
HC - FIT 'HEAVY CURRENT' KIT 2995G10030
WHERE IS SHOWN FIT CT SHORTING KIT 2995G10031
POSITIONS SHOWN BLANK ARE UNUSED.
ALL POSITIONS FIT SCREW 2106F12506.

2	S	S	1
4	S	S	3
6	S	S	5
8	S	S	7
10	S	S	9
12	S	S	11
14	S	S	13
16			15
18			17
20			19
22			21
24			23
26			25
28			27

VIEW FROM INSIDE FACE

Title: T.B. AND W.D. FOR AR1xxTxD 6 CONTACT RELAYS IN EPSILON E2 CASE.			First used on:	
Similar Articles:			Supersedes:	
2 RDW 6/2/6 MN112/2779 1 20/12/05	Reyrolle Protection Hebburn.		Original Scale:	Drg.No. 2112W50177
ISSUE DATE MOD.No.			Copyright © 2005 Reyrolle Ltd.	
DRAWN: RDW	CHECKED: RDW	APPROVED: R.D.WATSON	DATE: 20/12/05	Copyright © 2005 Reyrolle Ltd.